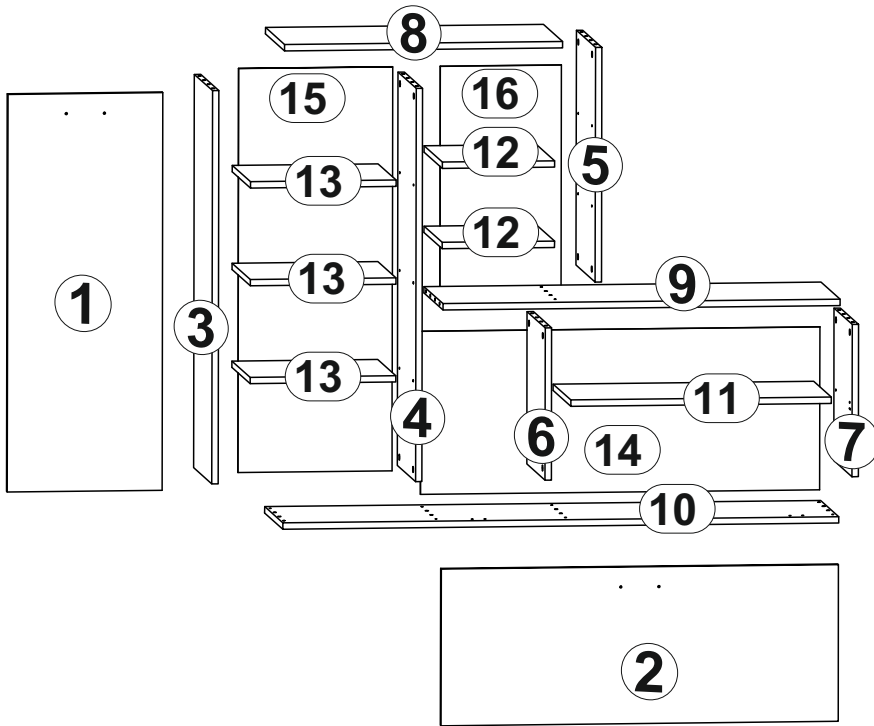


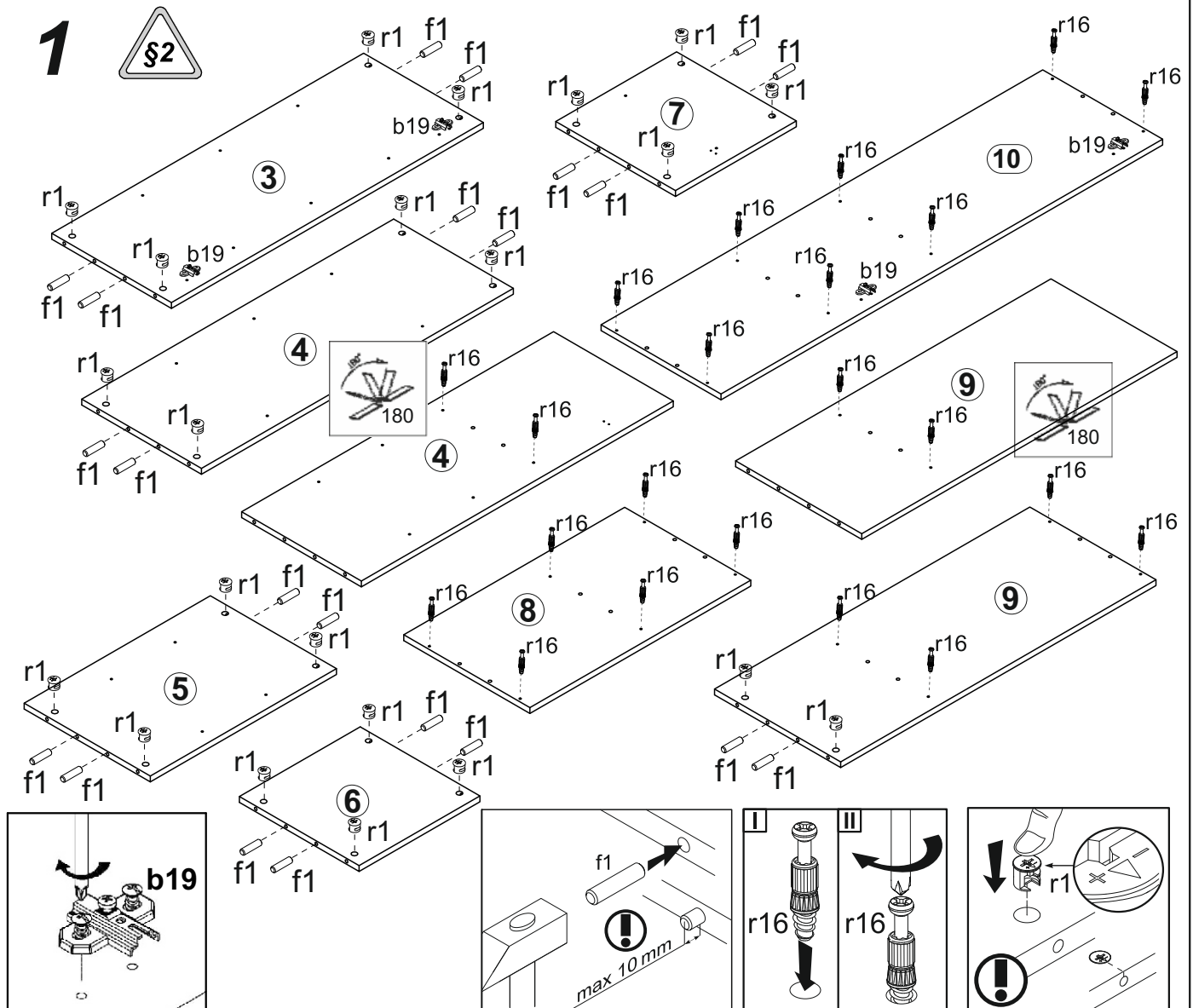
<p>5x 60x60x25 mm k55</p>	<p>3x φ7x50 mm e1</p>	<p>22x φ15x12mm #16 r1</p>	<p>22x 20/9 r16</p>	<p>22x φ16 s2</p>	<p>5x 32 mm c325</p>
<p>4x κ0 a44</p>	<p>24x φ5x17 mm d1</p>	<p>10x φ4x35 mm p26</p>	<p>1x φ3,5x16 mm p38</p>	<p>4x φ4x30 mm p9</p>	<p>50x l1</p>
<p>8x φ3,5x15 mm p51</p>	<p>8x φ3,5x13 mm p1</p>	<p>2x L-230 m48</p>	<p>1x z1</p>	<p>2x c235</p>	<p>1x n26\1</p>
<p>8x φ2,9x16 mm p55</p>	<p>8x 20x13x3,5/1 mm n108</p>	<p>10x φ4x35 mm p6</p>	<p>4x b19</p>	<p>24x φ8x30 mm f1</p>	<p>2x g2</p>
<p>4x φ5x11 mm e4</p>					

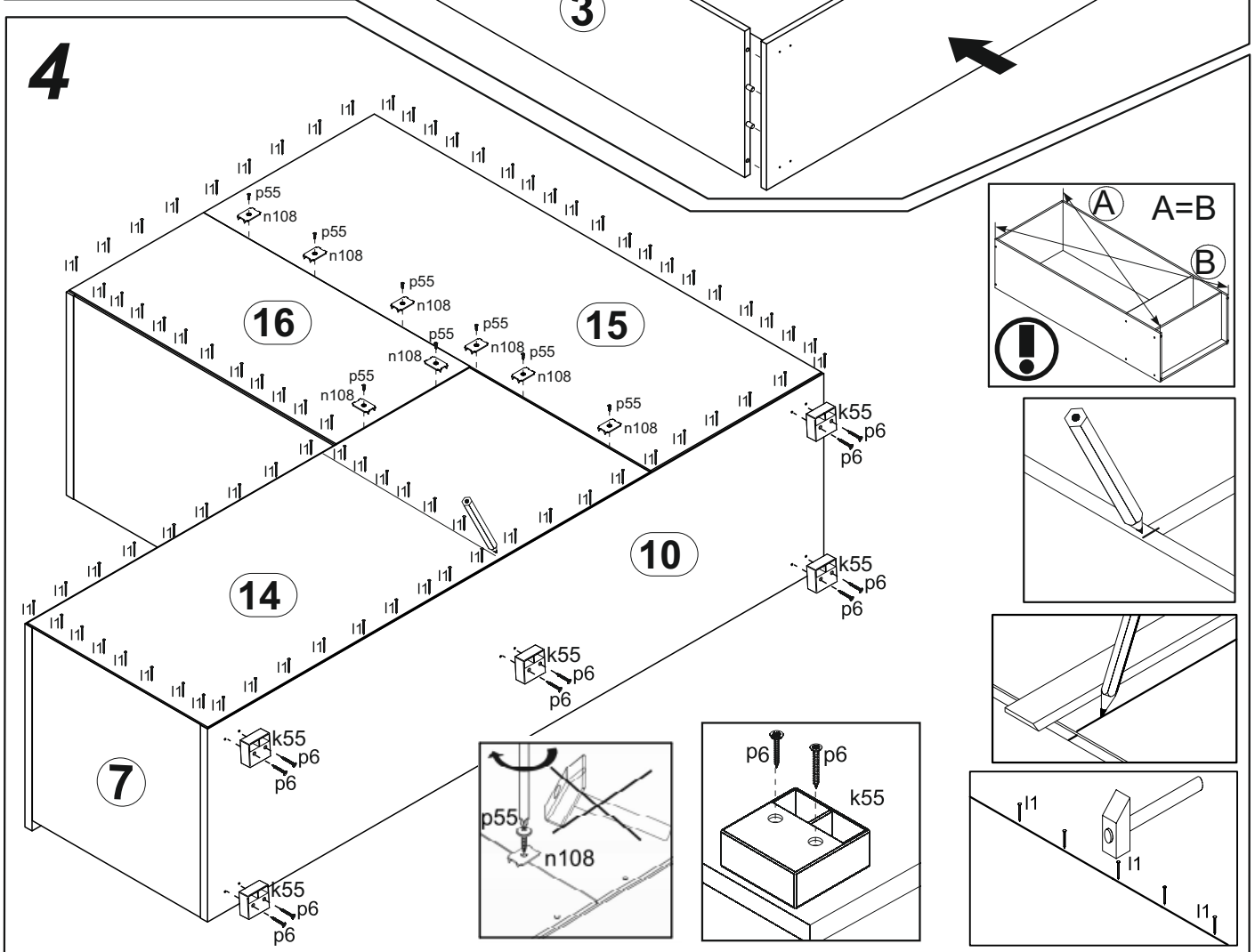
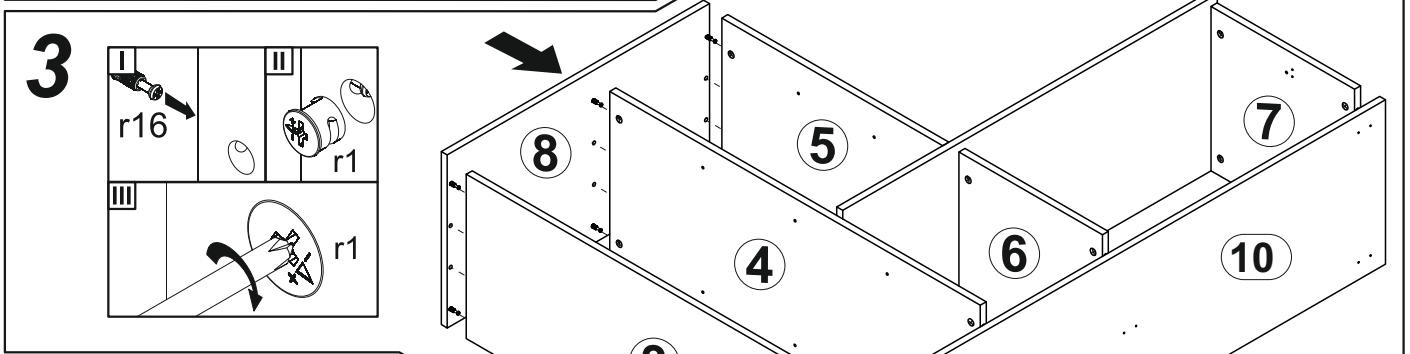
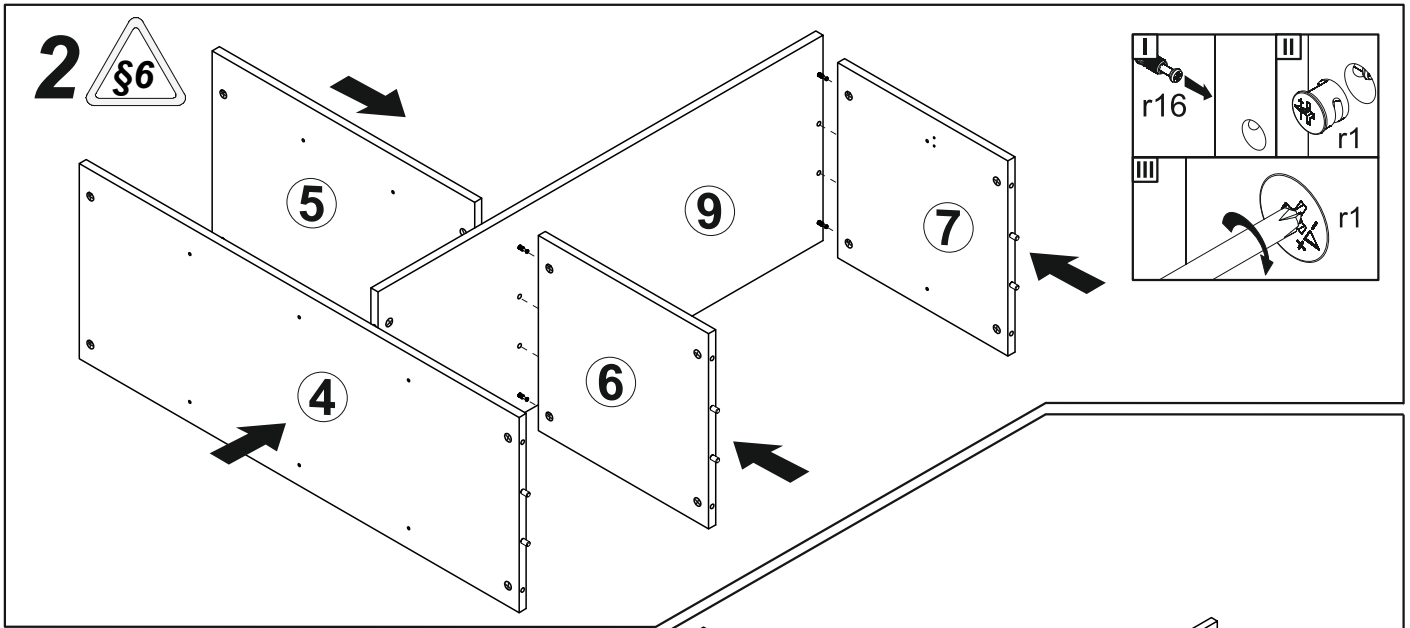
I



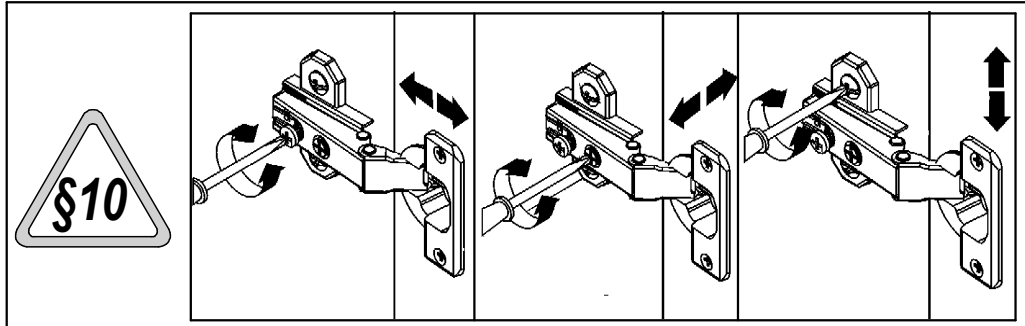
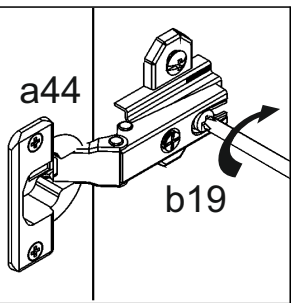
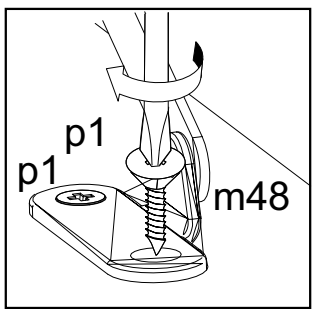
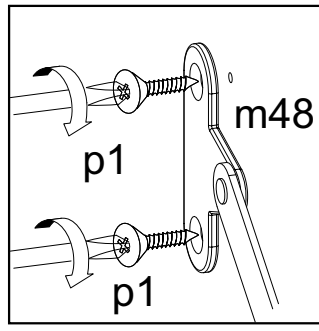
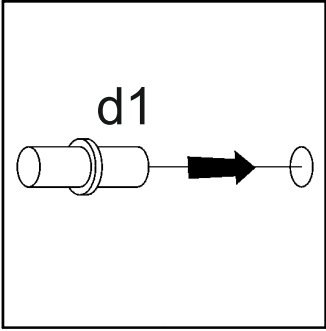
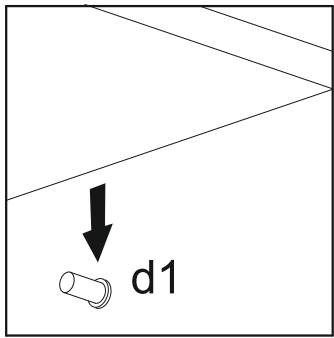
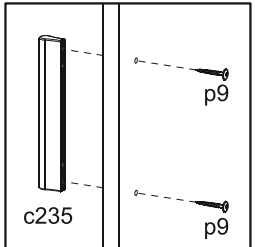
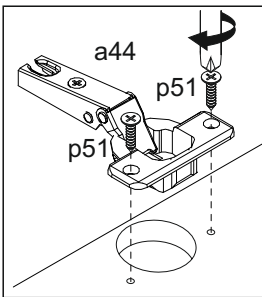
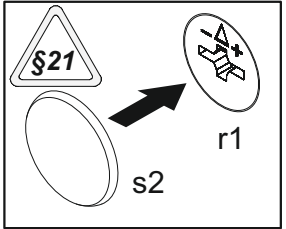
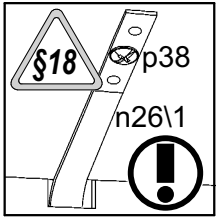
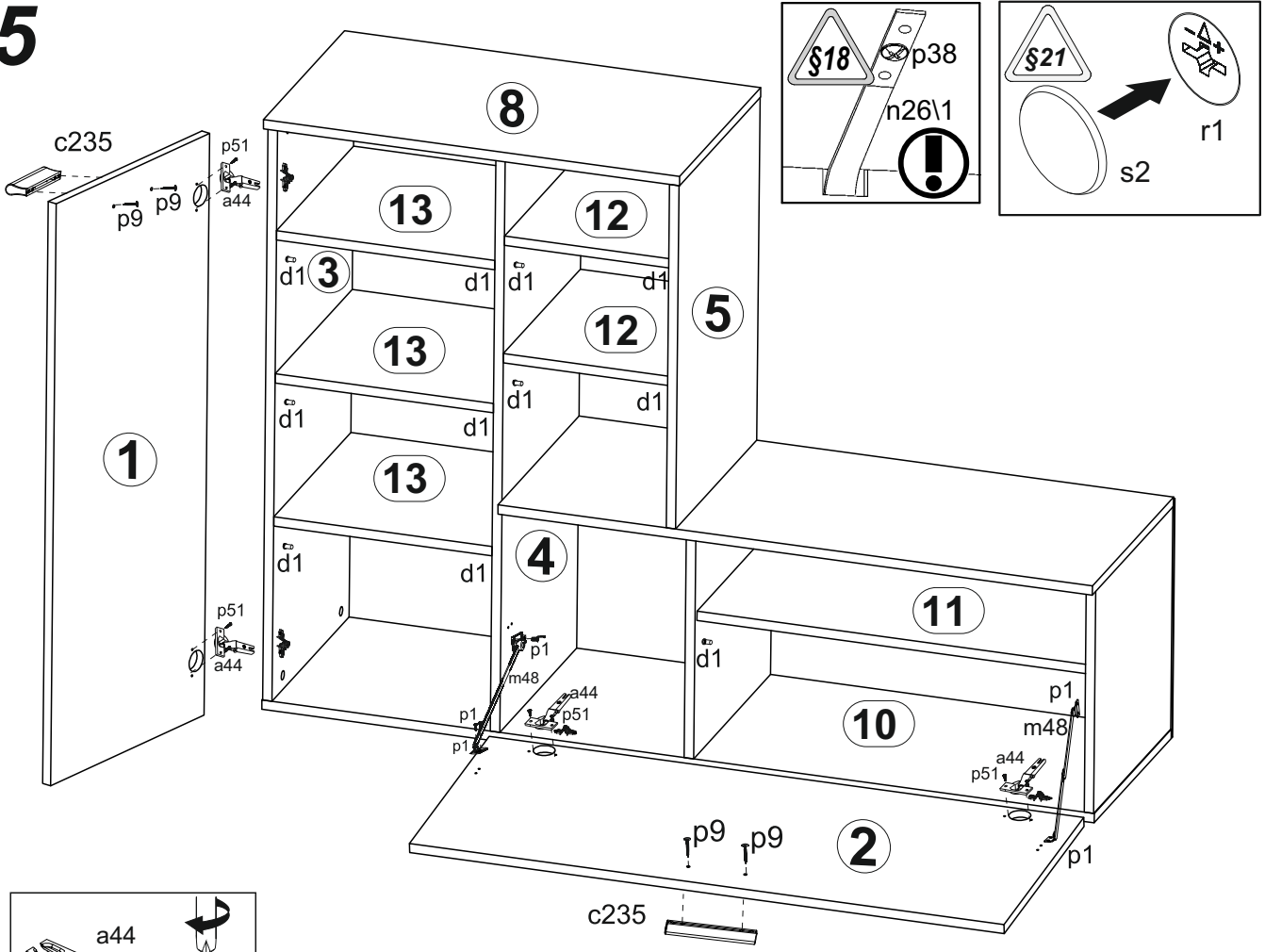
		§1		
A	B	C	D	
1	VL1-001	1000	393	2/2
2	VL1-002	997	393	2/2
3	VL1-104	989	380	2/2
4	VL1-101	989	380	2/2
5	VL1-103	590	400	2/2
6	VL1-105	383	380	2/2
7	VL1-102	383	380	2/2
8	VL1-201	700	400	1/2
9	VL1-202	1000	400	2/2
10	VL1-203	1400	380	2/2
11	VL1-304	656	370	1/2
12	VL1-301	283	380	2/2
13	VL1-303	367	380	2/2
14	VL1-901	1005	410	2/2
15	VL1-902	1016	388	2/2
16	VL1-903	606	305	2/2

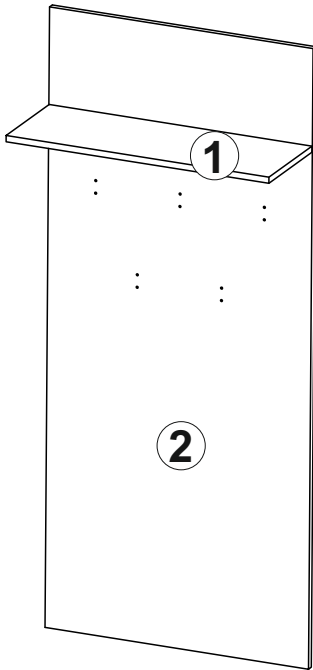
1



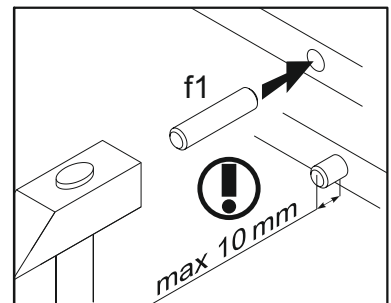
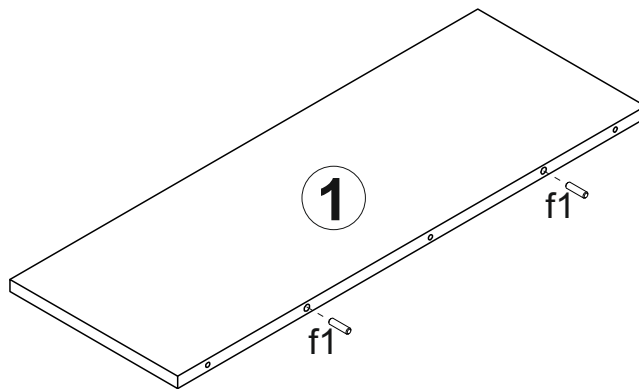
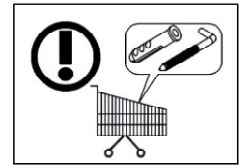


5

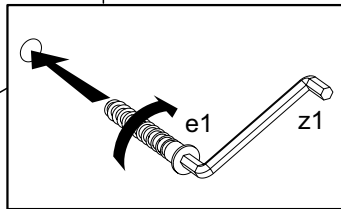
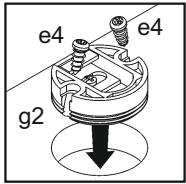
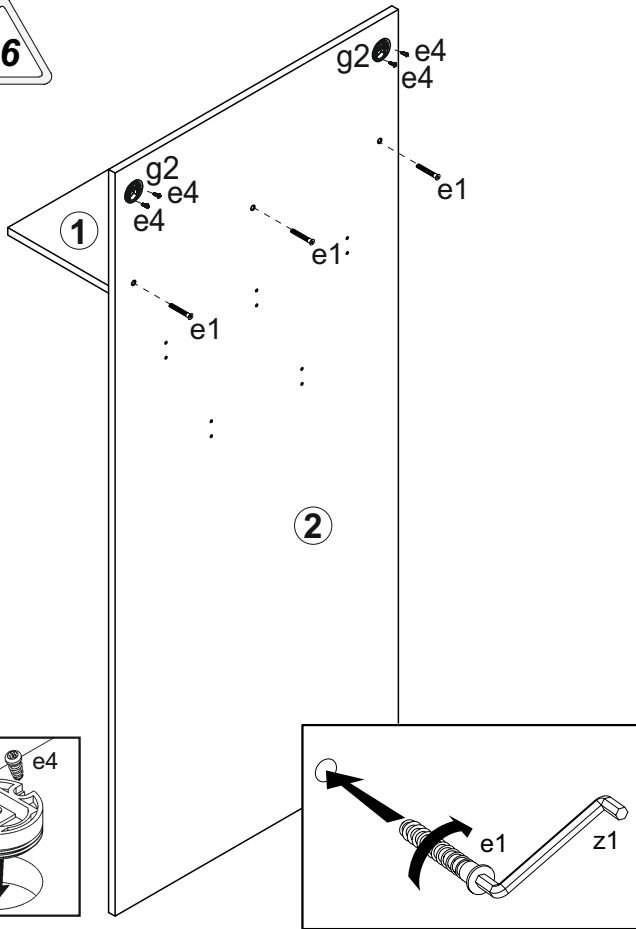




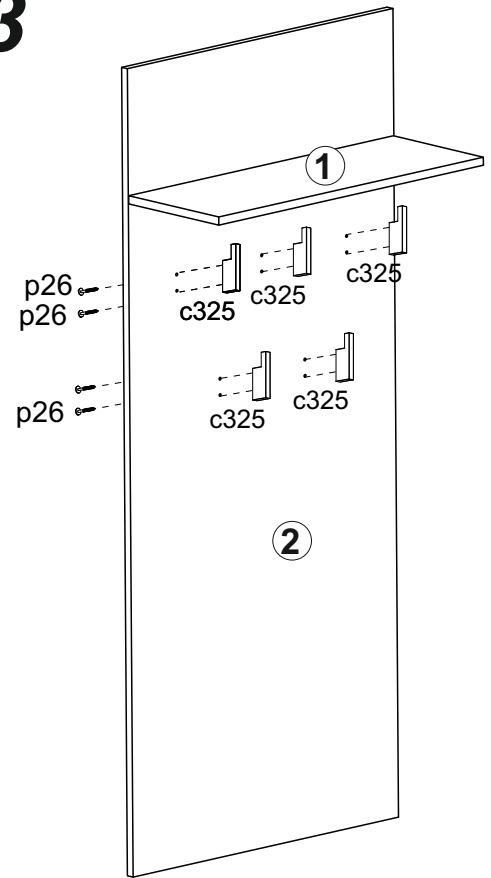
A	B	C		D
1	VL1-302	699	230	1/2
2	VL1-401	1580	700	1/2



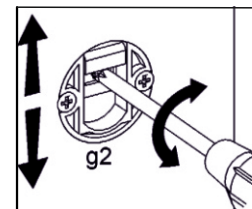
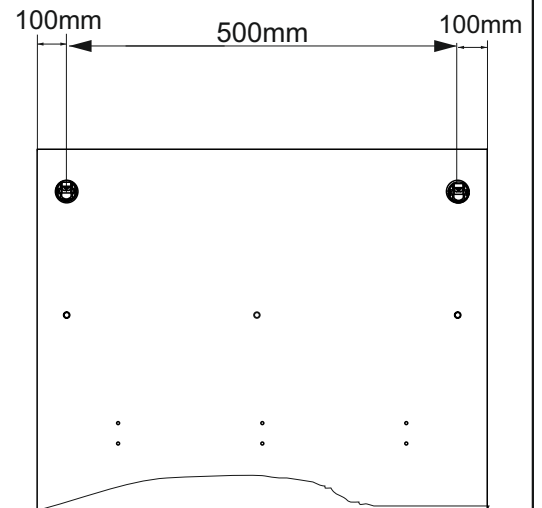
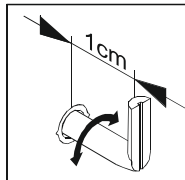
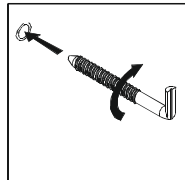
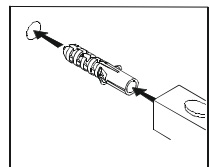
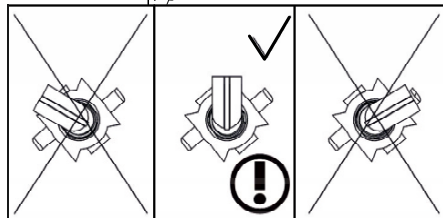
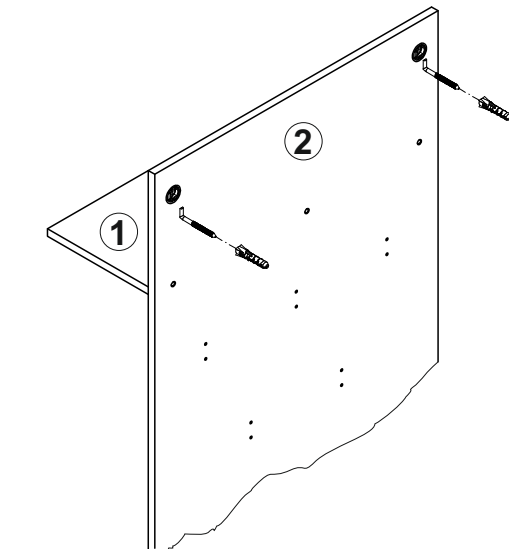
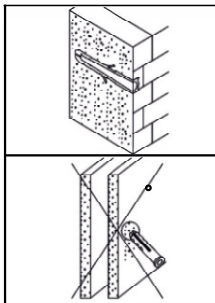
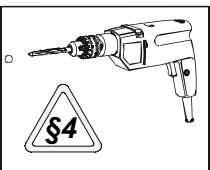
2

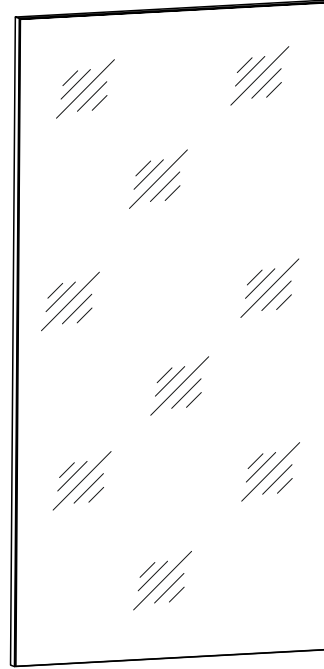


3



4





A	B	C	D
1	VL1-403	974	700 1/2

100mm 500mm 100mm

